

Regions are marked with the letters A (A0 to A5), B1, B2, C and D. Coastal region boundaries are smooth lines set in from a smoothed coastline by 50, 100, 150 and 200 km. Islands within 50 km of the coast are designated in the same region as the adjacent coast.

Figure 1: Wind Regions as depicted in the new Australian Standards

CHART C.1 - OPTIMAST POSTS - REGION C: SIGN AREA (A x B) ≤ 10m²

OPTIMAST POSTS

NOTES

- FOR SIGNS NOT LOCATED WITHIN THE JURISDICTION OF THE QUEENSLAND GOVERNMENT DEPARTMENT OF TRANSPORT AND MAIN ROADS, THESE DESIGN CHARTS ARE NOT VALID. REFER TO AS 1742.2 OR TO RELEVANT STATE AUTHORITY GUIDES FOR SIGN SUPPORTS OUTSIDE THE SCOPE OF THE DESIGN CHARTS. THESE DESIGN CHARTS ARE BASED ON DESIGN WIND SPEEDS ADOPTED IN THE QUEENSLAND DESIGN GUIDE FOR ROAD SIGNS WHICH HAVE HIGHER PROBABILITY OF EXCEEDANCE THAN THOSE DERIVED FROM AS1170.2.
- ON UNEVEN GROUND H = HEIGHT OF THE TALLEST POST.
- CHARTS ARE BASED ON PARTIALLY SHIELDED TERRAIN SUCH AS SUBURBAN HOUSING, INDUSTRIAL AREAS OR DENSE FOREST (AS1170.2 TERRAIN CATEGORY 3). FOR SIGNS IN EXPOSED LOCATIONS PRONE TO HIGHER WIND SPEEDS SUCH AS OPEN GRASSLAND, ISOLATED TREES (AS1170.2 TERRAIN CATEGORY 2) OR WHERE POST COLLAPSE IS MORE HAZARDOUS THAN NORMAL SITUATIONS, USE CHARTS WITH SELECTION OF NEXT POST SIZE UP OR AN ADDITIONAL POLE.
- FOR LARGER SIGNS, REFER TO CHARTS C.2 AND C.3.
- REFER TO QUEENSLAND DESIGN GUIDE FOR ROAD SIGNS FOR FOOTING SIZES. USE FOOTING SIZES APPLICABLE TO THE SAME DIAMETER STEEL POST.
- CHARTS ASSUME THAT DIMENSION 'A' IS NO MORE THAN FIVE (5) TIMES DIMENSION 'B'. IF A IS GREATER THAN 5xB CONTACT SUPPLIER FOR DESIGN ADVICE.
- WHERE SIGNAGE ASSEMBLIES ARE TO COMPLY WITH THE APPROVED TECHNICAL CONDITIONS OF USE FOR FRANGIBILITY, THE SIGN GEOMETRY IS TO COMPLY WITH THE FOLLOWING MINIMUM POST HEIGHTS (H+B): OPTIMAST 127 = 2.4m, OPTIMAST 168/OPTIMAST 219/OPTIMAST 244 = 4.6m
- SINGLE POST SIGN SUPPORTS MUST ONLY BE USED WHERE THE SIGN ATTACHMENT RESISTS ROTATION AND IS IN ACCORDANCE WITH STATE AUTHORITY GUIDELINES.
- WHERE SIGNAGE ASSEMBLIES ARE TO COMPLY WITH THE APPROVED TECHNICAL CONDITIONS OF USE FOR FRANGIBILITY, THE SIGN GEOMETRY IS TO COMPLY WITH THE FOLLOWING MINIMUM POST HEIGHTS (H+B): OPTIMAST 127 = 2.4m, OPTIMAST 168/OPTIMAST 219/OPTIMAST 244 = 4.6m
- REFER TO THE OPTIMAST PRODUCT MANUAL FOR ADDITIONAL TECHNICAL INFORMATION.

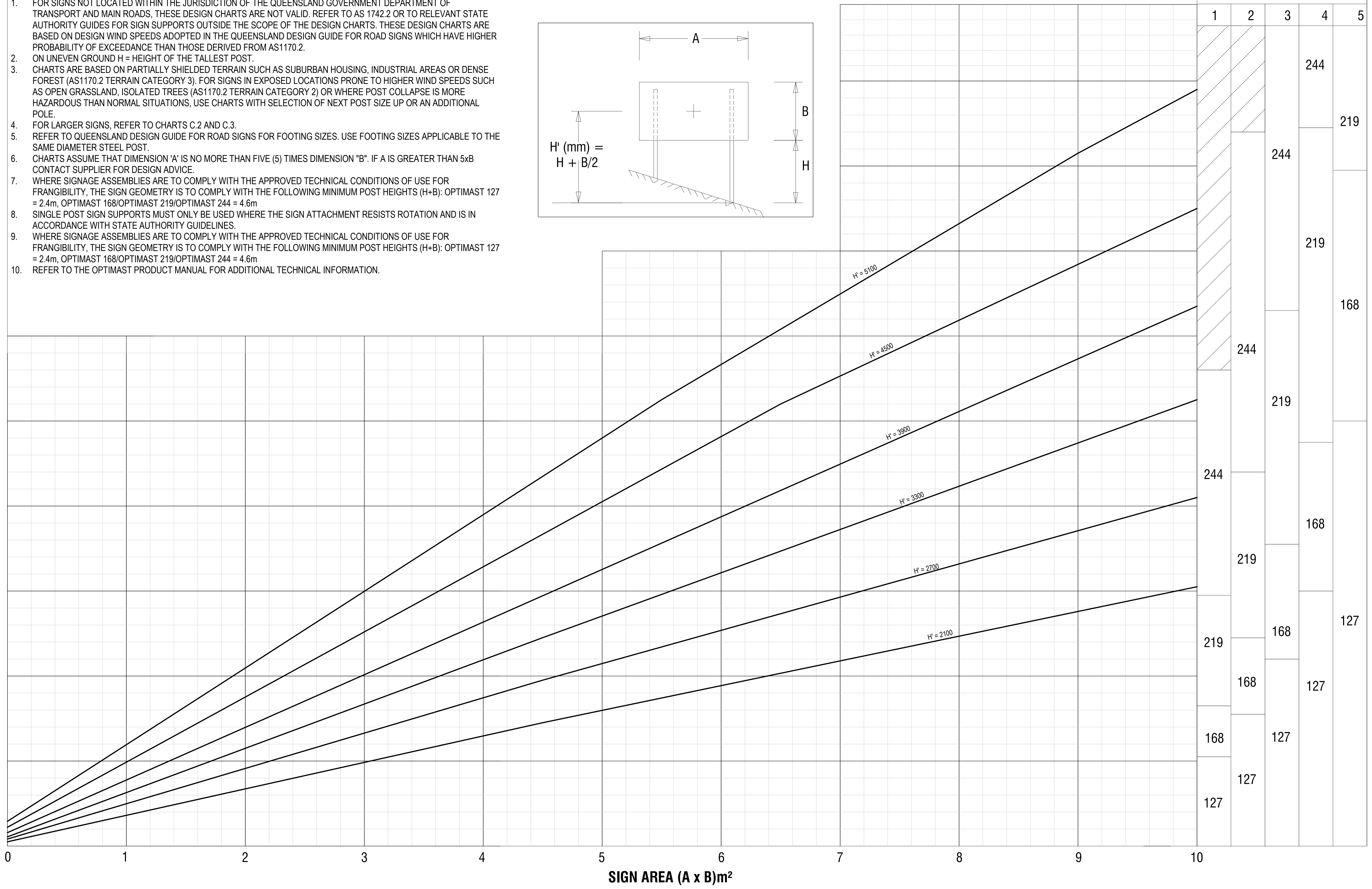
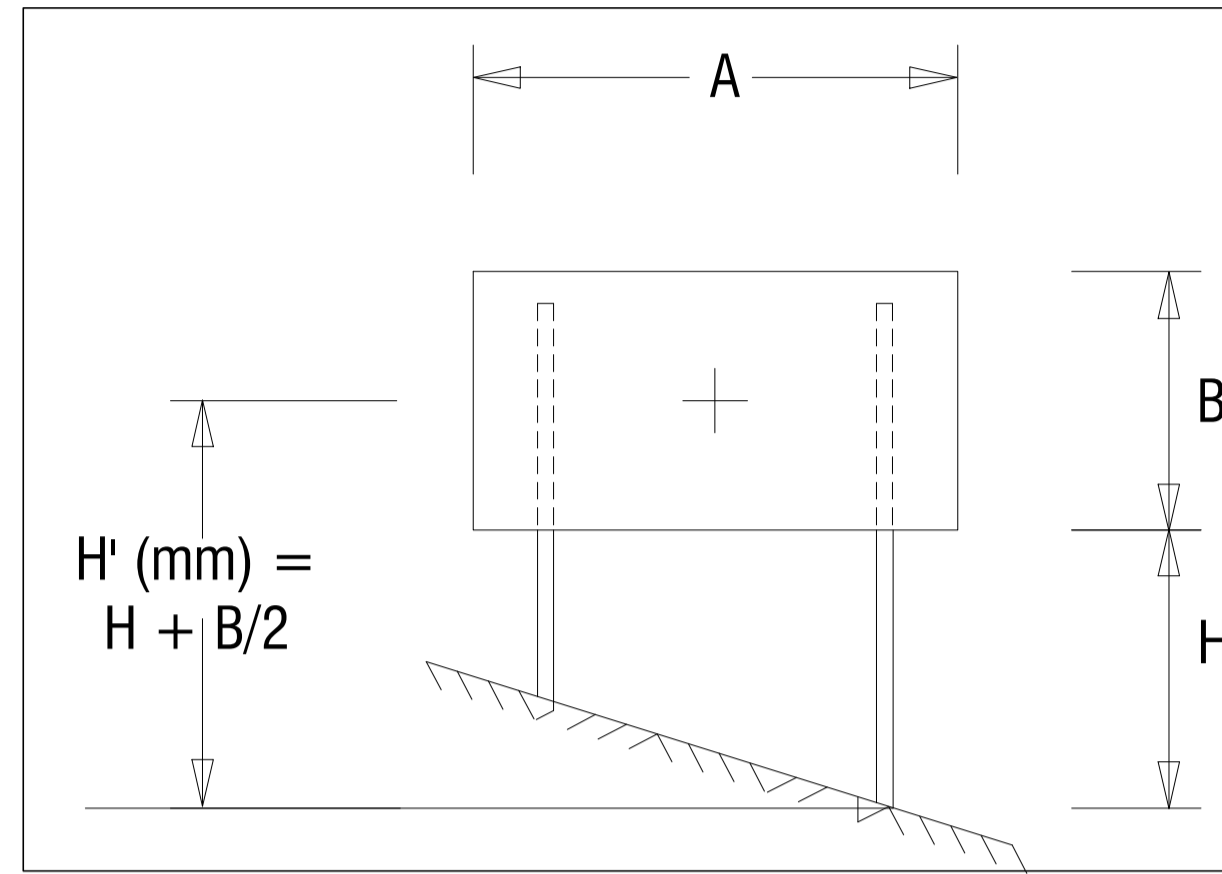
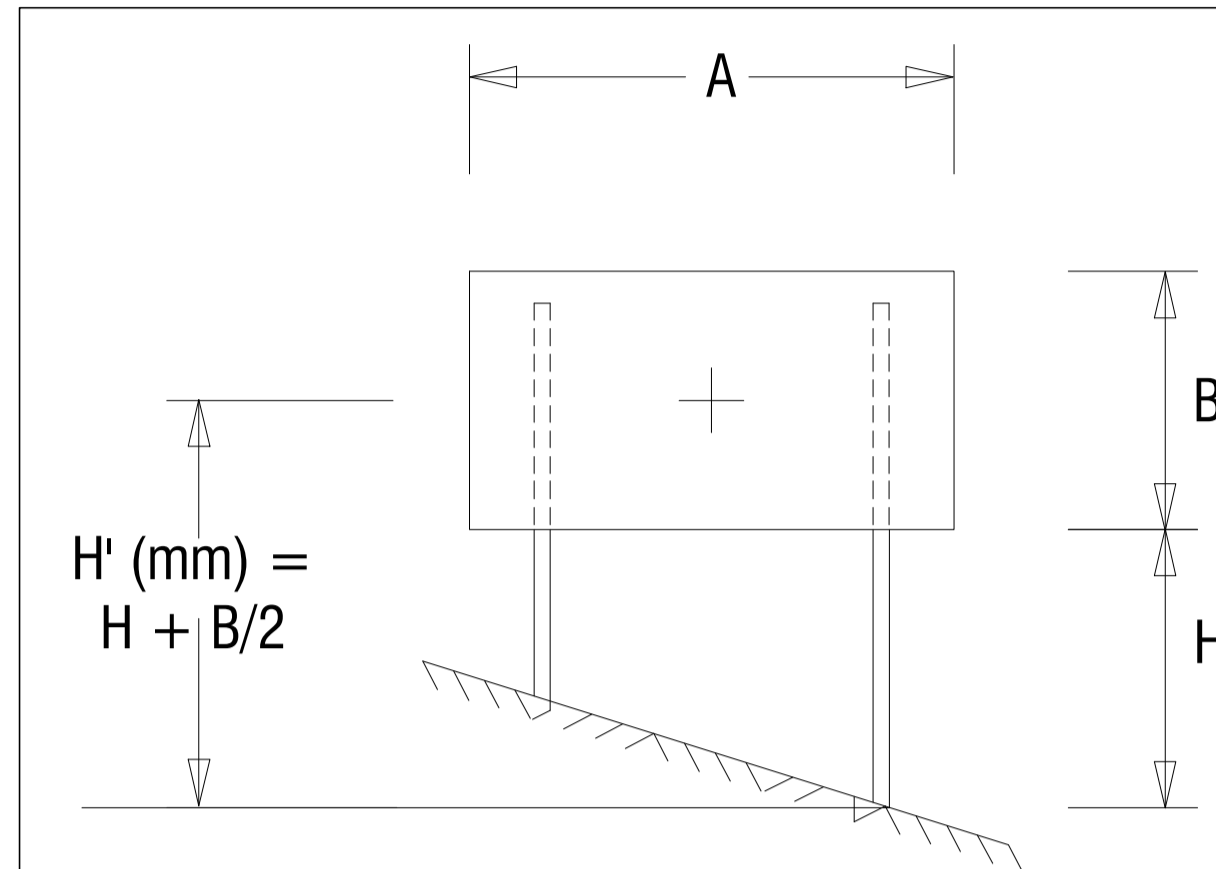


CHART C.2 - OPTIMAST POSTS - REGION C: SIGN AREA (A x B) ≤ 28m²

OPTIMAST POSTS

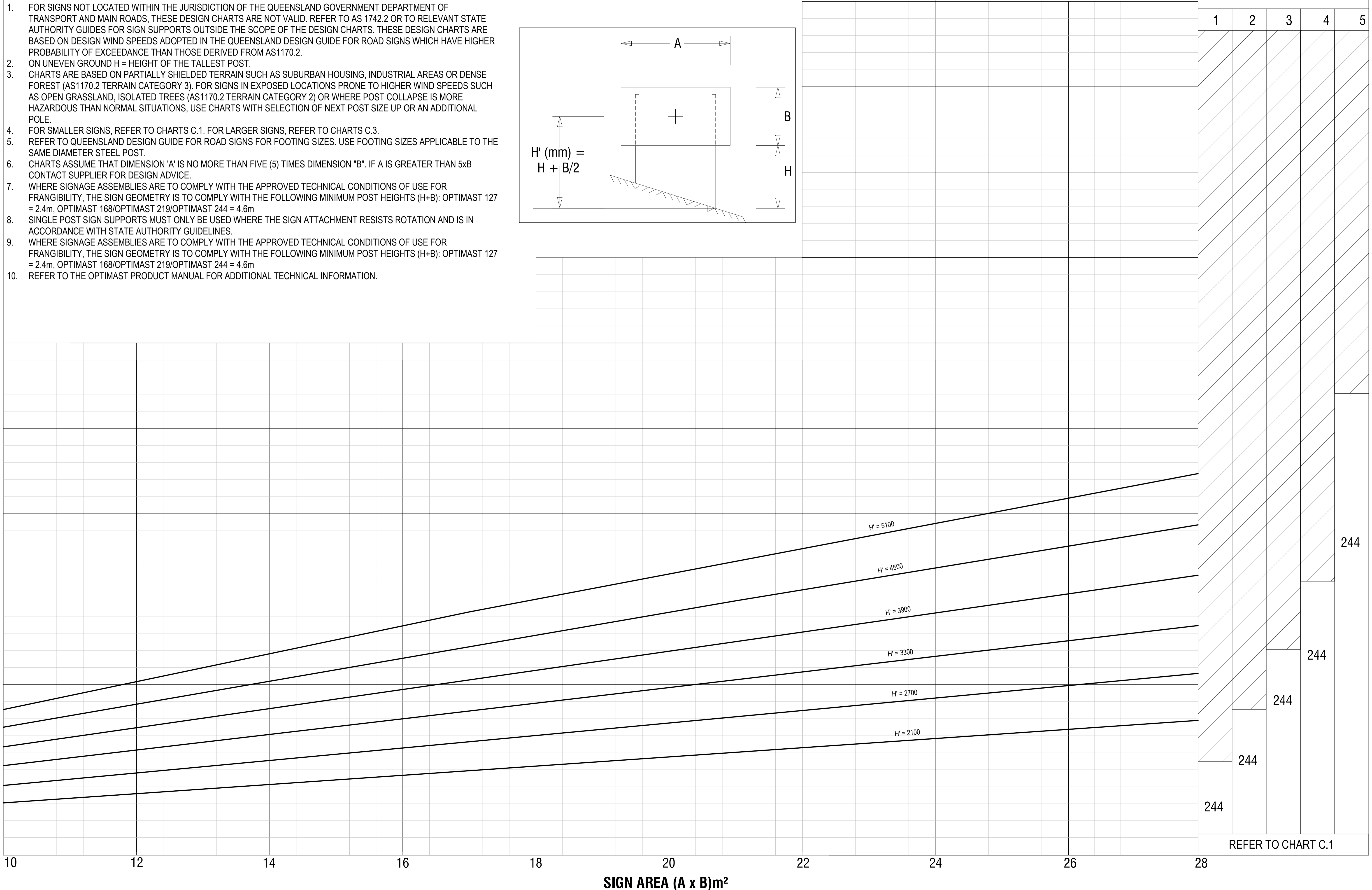
NOTES

- FOR SIGNS NOT LOCATED WITHIN THE JURISDICTION OF THE QUEENSLAND GOVERNMENT DEPARTMENT OF TRANSPORT AND MAIN ROADS, THESE DESIGN CHARTS ARE NOT VALID. REFER TO AS 1742.2 OR TO RELEVANT STATE AUTHORITY GUIDES FOR SIGN SUPPORTS OUTSIDE THE SCOPE OF THE DESIGN CHARTS. THESE DESIGN CHARTS ARE BASED ON DESIGN WIND SPEEDS ADOPTED IN THE QUEENSLAND DESIGN GUIDE FOR ROAD SIGNS WHICH HAVE HIGHER PROBABILITY OF EXCEEDANCE THAN THOSE DERIVED FROM AS1170.2.
- ON UNEVEN GROUND H = HEIGHT OF THE TALLEST POST.
- CHARTS ARE BASED ON PARTIALLY SHIELDED TERRAIN SUCH AS SUBURBAN HOUSING, INDUSTRIAL AREAS OR DENSE FOREST (AS1170.2 TERRAIN CATEGORY 3). FOR SIGNS IN EXPOSED LOCATIONS PRONE TO HIGHER WIND SPEEDS SUCH AS OPEN GRASSLAND, ISOLATED TREES (AS1170.2 TERRAIN CATEGORY 2) OR WHERE POST COLLAPSE IS MORE HAZARDOUS THAN NORMAL SITUATIONS, USE CHARTS WITH SELECTION OF NEXT POST SIZE UP OR AN ADDITIONAL POLE.
- FOR SMALLER SIGNS, REFER TO CHARTS C.1. FOR LARGER SIGNS, REFER TO CHARTS C.3.
- REFER TO QUEENSLAND DESIGN GUIDE FOR ROAD SIGNS FOR FOOTING SIZES. USE FOOTING SIZES APPLICABLE TO THE SAME DIAMETER STEEL POST.
- CHARTS ASSUME THAT DIMENSION 'A' IS NO MORE THAN FIVE (5) TIMES DIMENSION "B". IF A IS GREATER THAN 5xB CONTACT SUPPLIER FOR DESIGN ADVICE.
- WHERE SIGNAGE ASSEMBLIES ARE TO COMPLY WITH THE APPROVED TECHNICAL CONDITIONS OF USE FOR FRANGIBILITY, THE SIGN GEOMETRY IS TO COMPLY WITH THE FOLLOWING MINIMUM POST HEIGHTS (H+B): OPTIMAST 127 = 2.4m, OPTIMAST 168/OPTIMAST 219/OPTIMAST 244 = 4.6m
- SINGLE POST SIGN SUPPORTS MUST ONLY BE USED WHERE THE SIGN ATTACHMENT RESISTS ROTATION AND IS IN ACCORDANCE WITH STATE AUTHORITY GUIDELINES.
- WHERE SIGNAGE ASSEMBLIES ARE TO COMPLY WITH THE APPROVED TECHNICAL CONDITIONS OF USE FOR FRANGIBILITY, THE SIGN GEOMETRY IS TO COMPLY WITH THE FOLLOWING MINIMUM POST HEIGHTS (H+B): OPTIMAST 127 = 2.4m, OPTIMAST 168/OPTIMAST 219/OPTIMAST 244 = 4.6m
- REFER TO THE OPTIMAST PRODUCT MANUAL FOR ADDITIONAL TECHNICAL INFORMATION.



No. OF POSTS

1 2 3 4 5



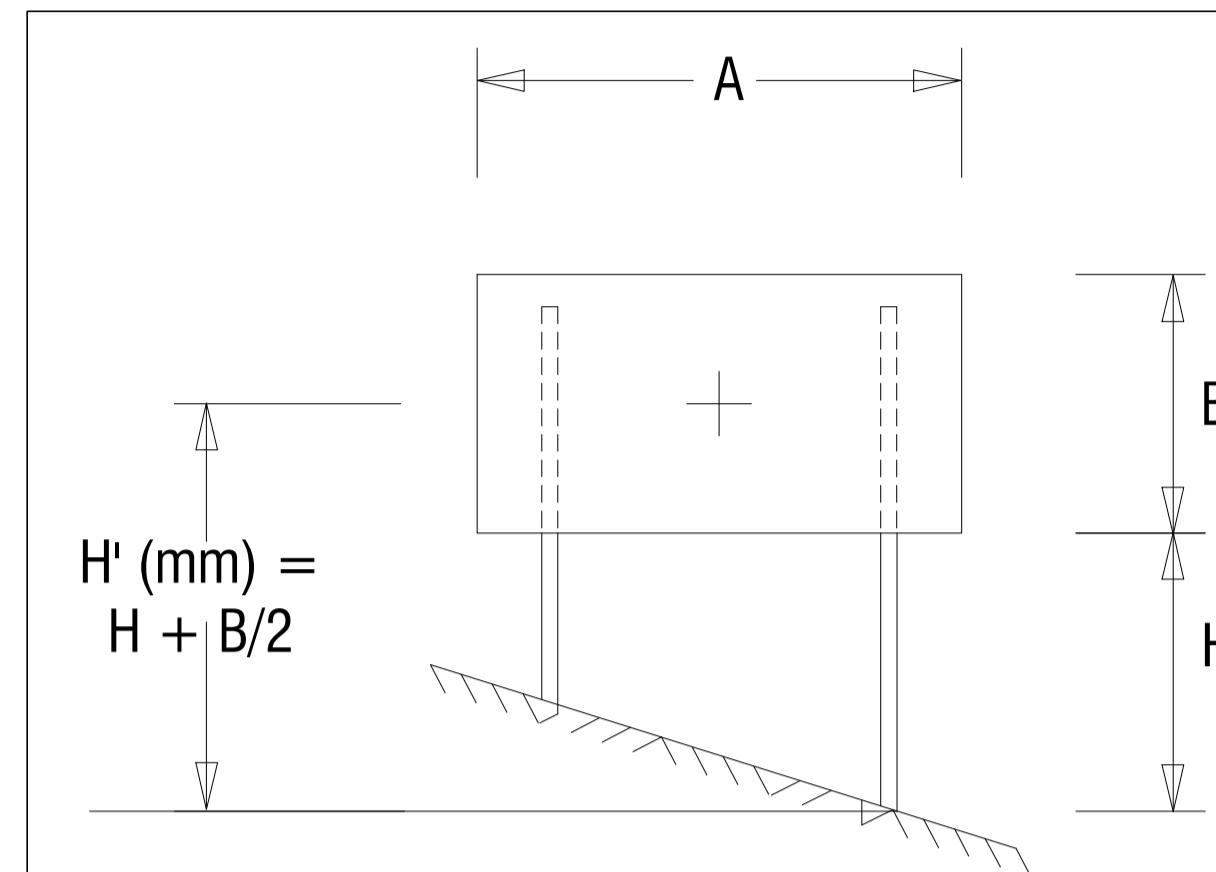
REFER TO CHART C.1

CHART C.3 - OPTIMAST POSTS - REGION C: SIGN AREA (A x B) ≤ 40m²

OPTIMAST POSTS

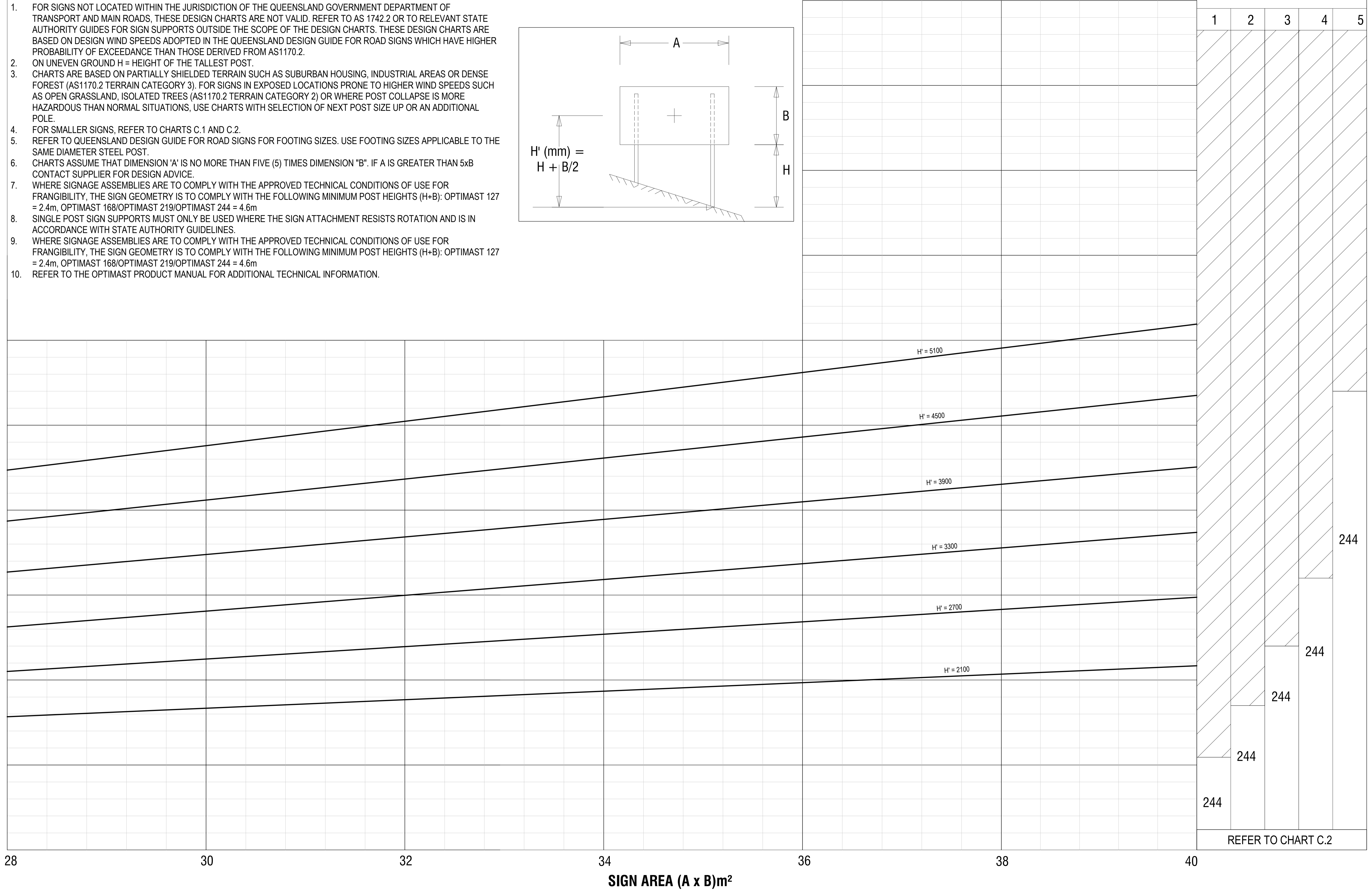
NOTES

- FOR SIGNS NOT LOCATED WITHIN THE JURISDICTION OF THE QUEENSLAND GOVERNMENT DEPARTMENT OF TRANSPORT AND MAIN ROADS, THESE DESIGN CHARTS ARE NOT VALID. REFER TO AS 1742.2 OR TO RELEVANT STATE AUTHORITY GUIDES FOR SIGN SUPPORTS OUTSIDE THE SCOPE OF THE DESIGN CHARTS. THESE DESIGN CHARTS ARE BASED ON DESIGN WIND SPEEDS ADOPTED IN THE QUEENSLAND DESIGN GUIDE FOR ROAD SIGNS WHICH HAVE HIGHER PROBABILITY OF EXCEEDANCE THAN THOSE DERIVED FROM AS1170.2.
- ON UNEVEN GROUND H = HEIGHT OF THE TALLEST POST.
- CHARTS ARE BASED ON PARTIALLY SHIELDED TERRAIN SUCH AS SUBURBAN HOUSING, INDUSTRIAL AREAS OR DENSE FOREST (AS1170.2 TERRAIN CATEGORY 3). FOR SIGNS IN EXPOSED LOCATIONS PRONE TO HIGHER WIND SPEEDS SUCH AS OPEN GRASSLAND, ISOLATED TREES (AS1170.2 TERRAIN CATEGORY 2) OR WHERE POST COLLAPSE IS MORE HAZARDOUS THAN NORMAL SITUATIONS, USE CHARTS WITH SELECTION OF NEXT POST SIZE UP OR AN ADDITIONAL POLE.
- FOR SMALLER SIGNS, REFER TO CHARTS C.1 AND C.2.
- REFER TO QUEENSLAND DESIGN GUIDE FOR ROAD SIGNS FOR FOOTING SIZES. USE FOOTING SIZES APPLICABLE TO THE SAME DIAMETER STEEL POST.
- CHARTS ASSUME THAT DIMENSION 'A' IS NO MORE THAN FIVE (5) TIMES DIMENSION "B". IF A IS GREATER THAN 5xB CONTACT SUPPLIER FOR DESIGN ADVICE.
- WHERE SIGNAGE ASSEMBLIES ARE TO COMPLY WITH THE APPROVED TECHNICAL CONDITIONS OF USE FOR FRANGIBILITY, THE SIGN GEOMETRY IS TO COMPLY WITH THE FOLLOWING MINIMUM POST HEIGHTS (H+B): OPTIMAST 127 = 2.4m, OPTIMAST 168/OPTIMAST 219/OPTIMAST 244 = 4.6m
- SINGLE POST SIGN SUPPORTS MUST ONLY BE USED WHERE THE SIGN ATTACHMENT RESISTS ROTATION AND IS IN ACCORDANCE WITH STATE AUTHORITY GUIDELINES.
- WHERE SIGNAGE ASSEMBLIES ARE TO COMPLY WITH THE APPROVED TECHNICAL CONDITIONS OF USE FOR FRANGIBILITY, THE SIGN GEOMETRY IS TO COMPLY WITH THE FOLLOWING MINIMUM POST HEIGHTS (H+B): OPTIMAST 127 = 2.4m, OPTIMAST 168/OPTIMAST 219/OPTIMAST 244 = 4.6m
- REFER TO THE OPTIMAST PRODUCT MANUAL FOR ADDITIONAL TECHNICAL INFORMATION.



No. OF POSTS

1 2 3 4 5



REFER TO CHART C.2

28

30

32

34

36

38

40

SIGN AREA (A x B)m²

244

244

244

244

244